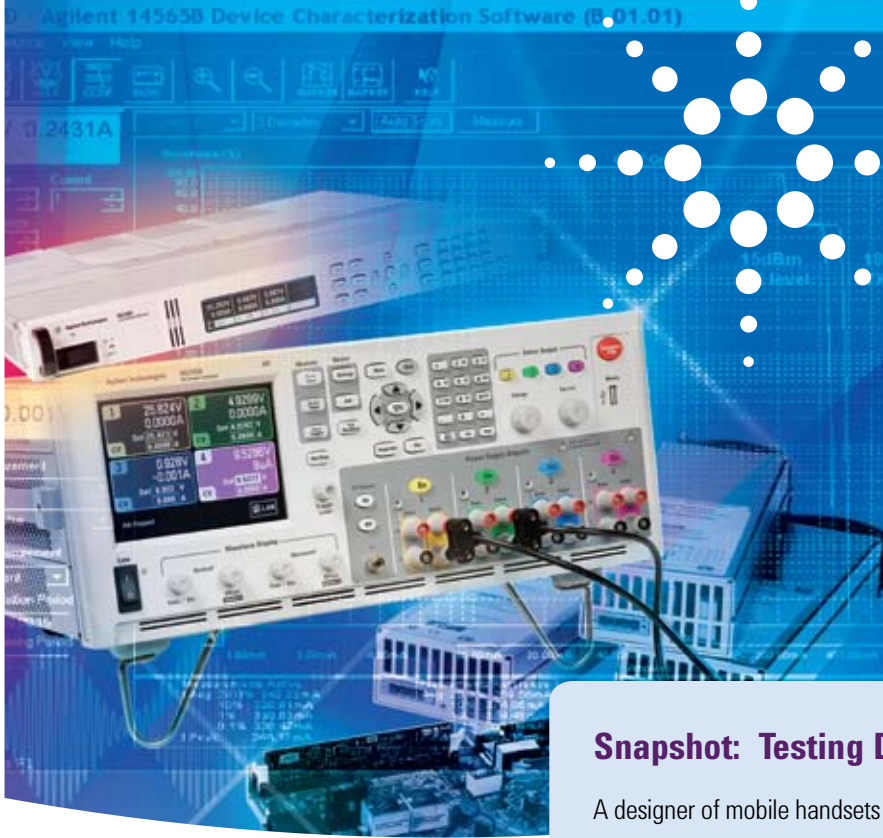


# MEASUREMENT TIPS

Volume 4, Number 2

## Improve Power Supply Performance and Safety Using Remote Sensing and Remote Inhibit



**When you test new designs,** it is important to plan for unexpected situations – especially hazardous situations that can cause damage to the prototype, the test equipment or the person running the test. When you determine the requirements for a new test system, you anticipate what could go wrong and design a robust test that can withstand the surprises that might come up during the test and characterization of a new design. Many of today's power products include features such as remote sensing and remote inhibit capability that make handling and reporting the unexpected situations faster and easier – helping you to minimize the risk and damage when things go wrong.

### Snapshot: Testing DC-to-DC Converters

A designer of mobile handsets was testing the ability of the DC-to-DC converter inside the handset to transform the battery voltage into the controlled voltage used by the handset components. In the process of adding additional automation to the test system, the test equipment was moved further away from the DUT and connected using contacts, relays, and lengthy cabling, introducing additional resistance and inductance that made it increasingly difficult to maintain a stable voltage at the DUT. The designer used the remote sense capabilities of the Agilent N6700 modular power system to regulate the voltage at the DUT, improving the test quality at the higher test throughput. Furthermore, the protection features of the N6700, such as over-voltage protection and remote inhibit, allowed the designer to include additional safeguards to protect the DUT and the test system, as well as the operators.



Purchase Agilent products from:

**TESTEQUITY**

An Authorized Agilent Distributor

888 782-3457

<http://agilent.testequity.com>



**Agilent Technologies**

## Remote sensing

Power supplies use voltage monitoring circuitry to measure the voltage at the sense terminals and a control loop to regulate the voltage at the output terminals. In the default configuration, the sense terminals are usually connected directly to the output terminals. Monitoring the voltage at the output terminals rather than at the device under test (DUT) does not compensate for the voltage drop caused by the lead resistance. The voltage at the DUT is degraded with longer leads, higher wire gauge, relays and connectors.

Using remote sensing, you can improve regulation of the voltage at the DUT. With remote sensing, you can connect the sense terminals of the power supply's voltage monitoring circuitry directly to the DUT (see Figure 1). This allows the power supply to regulate its output voltage

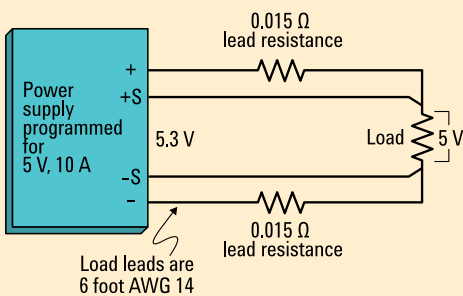


FIGURE 1: Using remote sensing to correct the load-lead problem

at the DUT, rather than at its own output terminals. The power supply adjusts the voltage as necessary to keep the voltage at the DUT constant, thereby compensating for the voltage drop caused by the resistance of load leads, relays, or connectors.

To implement remote sensing, disconnect the local sense leads from the output terminals. Some models may have a switch to select between remote and local sensing. Connect the sense lead terminals to the sense points on the DUT using twisted two-wire shielded cable. Connect one end of the shield to ground and leave the other end unconnected.

## Remote inhibit

Power supplies with remote inhibit allow the power supply to shut down in response to a particular operating condition to protect system operators, the device under test, and the power supply itself. Conditions such as over-voltage, over-current and over-temperature can be detected and the power supplies configured to will shut down all power supply outputs in the system without external monitoring or programming.

Remote inhibit (RI) is an input to a power supply that disables the output when the RI terminal is pulled low (see Figure 2). This shorts the normally open switch and turns off the power supply output. You can use the remote inhibit feature on your power supply to respond to or detect other conditions as well, such as opening a cabinet door or a fault from another device in the system.

Many power supplies also provide a discrete fault indicator (DFI) that can be used to signal an operator or other components in the system when the power supply detects the fault you define. For example, to generate a DFI signal from a power supply when the DUT draws excessive current, you can program the current limit to the maximum current you expect to use. Once the over-current protection mode is enabled, you can then program the power supply to generate a DFI signal when it hits its current limit and enters constant-current mode. If the current at the DUT reaches the limit, the DFI output will go low, informing the operator of the over-current condition.

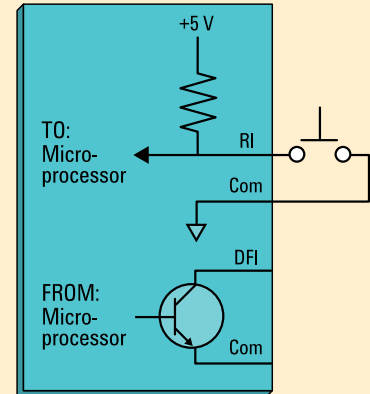


FIGURE 2: Schematic for remote inhibit and discrete fault indicator within the power supply

## MEASUREMENT TIP

If your application requires relays to disconnect or reverse the polarity of the outputs, look for these features to be built-in when you select your power supply. Some power supplies, such as the modules used in Agilent's N6700 modular power system or the N6705A DC power analyzer have options for relays that are built into the module, so no additional wiring or rack space is needed to get to the relay function.

## MEASUREMENT TIP

When using multiple power supplies, you can daisy-chain the DFI and RI signals. This way, if one of the supplies detects a fault, all supplies in the system are disabled. You also can use DFI and RI signals with multiple output supplies using timing delay to produce a sequenced shut-down of the outputs when a fault event is detected.

## Summary

Remote sensing regulates the output voltage of the power supply at the DUT and offers a simple way to monitor the input voltage to the DUT. Using remote inhibit along with the discrete fault indicator allows the power supply to shut down in response to a defined operating condition and can signal the operator and the system that a fault has been detected. Using power supplies that include these features, such as Agilent's N6700 and N6705A mainframes, can improve the performance of your test system and add additional protection for your DUT, your equipment, and your operators.

## Helpful tools for power product users

### Free DC Power Supply Hints and Tips

A series of useful tips to help you get the most out of your power supply

- *Create Complex Sequences with a DC Power Supply*
- *Improve Power Supply Performance and Safety Using Remote Sensing and Remote Inhibit*
- *Achieve Cleaner Power Signals by Minimizing Common Sources of Noise*



### Agilent Power Products Selection Guide

Our new product guide helps you match Agilent power products to your test and measurement challenges

Since DC power supplies are used in such a wide variety of applications, Agilent offers more than 200 products designed to meet all your test requirements. Our new selection guide will help you evaluate and select the right Agilent product for your specific test need.



**Yours FREE!** Find these helpful tools and more at [www.agilent.com/find/power\\_product\\_tips](http://www.agilent.com/find/power_product_tips)

[www.agilent.com](http://www.agilent.com)

For more information on Agilent Technologies' products, applications or services, please contact your local Agilent office. The complete list is available at:

[www.agilent.com/find/contactus](http://www.agilent.com/find/contactus)



## Agilent DC Power Supplies

Over 200 models from  
2 W to 6.6 kW

For more information on these and other  
Agilent power products please visit

[www.agilent.com/find/power](http://www.agilent.com/find/power)



*Agilent N6705A  
DC power analyzer*

*Agilent N6700 low profile  
modular power system*



Purchase these and other Agilent products from:

**TestEquity**

2450 Turquoise Circle, Thousand Oaks, CA 91320

**TESTEQUITY**

888 782-3457

<http://agilent.testequity.com>

Product specifications and descriptions in this document subject to change without notice.

© Agilent Technologies, Inc. 2008

Printed in USA, November 1, 2008

5989-8851EN



**Agilent Technologies**